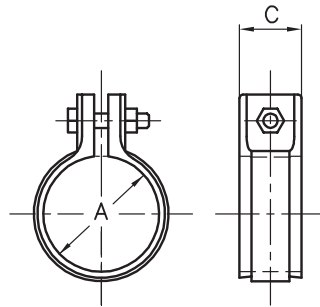


A10462 Polypropylene hanging band
A10466 Polypropylene vertical band only

Polypropylene hanging and vertical bands for various pipe types



*The photographs show A10462 polypropylene hanging bands.

Part number A10462 Polypropylene hanging band
A10466 Polypropylene vertical band only Units (mm)

Polypropylene band for SGP pipe (white)						
Size code		Model number	Diame-ter size	Applicable pipe outer diameter	Tightening bolt Dia. x Length	C
A10462	A10466					
0013	0012	G- 15	15A	21.7	M6×30	26
0028	0027	G- 20	20A	27.2	M6×30	26
0032	0031	G- 25	25A	34.0	M6×30	26
0047	0046	G- 32	32A	42.7	M6×30	26
0051	0065	G- 40	40A	48.6	M6×30	26
0066	0070	G- 50	50A	60.5	M6×30	26
0085	0084	G- 65	65A	76.3	M8×40	32
0090	0099	G- 80	80A	89.1	M8×40	32
0102	0101	G- 100	100A	114.3	M8×40	32

Polypropylene band for VP pipe (gray)						
Size code		Model number	Diame-ter size	Applicable pipe outer diameter	Tightening bolt Dia. x Length	C
A10462	A10466					
0117	0116	V- 13	13	18.0	M6×30	26
0121	0135	V- 15	16	22.0	M6×30	26
0136	0140	V- 20	20	26.0	M6×30	26
0155	0154	V- 25	25	32.0	M6×30	26
0160	0169	V- 32	30	38.0	M6×30	26
0174	0173	V- 40	40	48.0	M6×30	26
0189	0188	V- 50	50	60.0	M6×30	26
0193	0192	V- 65	65	76.0	M8×40	32
0206	0205	V- 80	75	89.0	M8×40	32
0225	0210	V- 100	100	114.0	M8×40	32

Polypropylene band for coated steel pipe (ivory)						
Size code		Model number	Diame-ter size	Applicable pipe outer diameter	Tightening bolt Dia. x Length	C
A10462	A10466					
0230	0224	C- 15	15A	25.7	M6×30	26
0244	0239	C- 20	20A	31.2	M6×30	26
0259	0243	C- 25	25A	37.6	M6×30	26

Part number A10462 Polypropylene hanging band
A10466 Polypropylene vertical band only Units (mm)

Polypropylene band for copper pipe (white)						
Size code		Model number	Diame-ter size	Applicable pipe outer diameter	Tightening bolt Dia. x Length	C
A10462	A10466					
0263	0258	TW-1	1/2	15.88	M6×30	26
0278	0262	TW-5	3/4	22.22	M6×30	26
0282	0277	TW-7	1	28.58	M6×30	26

Polypropylene band for VP pipe (beige)						
Size code		Model number	Diame-ter size	Applicable pipe outer diameter	Tightening bolt Dia. x Length	C
A10462	A10466					
0300	0296	A- 40	40	48	M6×30	26
0314	0309	A- 50	50	60	M6×30	26
0329	0313	A- 65	65	76	M8×40	32
0333	0328	A- 80	75	89	M8×40	32
0348	0332	A-100	100	114	M8×40	32

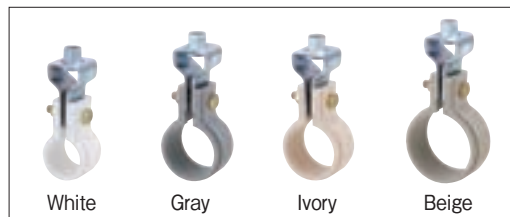
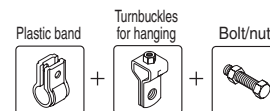
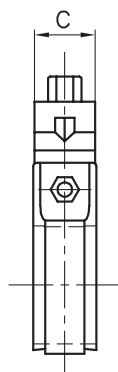
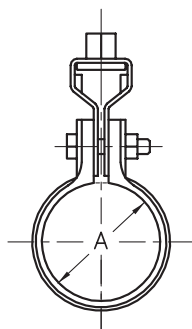
Polypropylene band for VP pipe (white)						
Size code		Model number	Diame-ter size	Applicable pipe outer diameter	Tightening bolt Dia. x Length	C
A10462	A10466					
0352	0347	VW-20	20	26	M6×30	26
0367	0351	VW-25	25	32	M6×30	26
0371	0366	VW-32	30	38	M6×30	26

Polypropylene band for coated copper pipe (white)						
Size code		Model number	Diame-ter size	Applicable pipe outer diameter	Tightening bolt Dia. x Length	C
A10462	A10466					
0278	0262	TW- 5	1/2	23.0	M6×30	26
0297	0281	P -20	3/4	31.0	M6×30	26

Plastic Bands

A10464 Polypropylene hanging band with turnbuckle

Polypropylene hanging bands for various pipe types



Part number A10464

Polypropylene hanging band with turnbuckle

Units (mm)

Polypropylene band for SGP pipe (white)						
Size code	Model number	Diameter size	Applicable pipe outer diameter	Tightening bolt Dia. x Length	C	Hanging bolt diameter
0018	G- 15	15A	21.7	M6×30	26	W ³ / ₈
0022	G- 20	20A	27.2	M6×30	26	W ³ / ₈
0037	G- 25	25A	34.0	M6×30	26	W ³ / ₈
0041	G- 32	32A	42.7	M6×30	26	W ³ / ₈
0056	G- 40	40A	48.6	M6×30	26	W ³ / ₈
0075	G- 50	50A	60.5	M6×30	26	W ³ / ₈
0080	G- 65	65A	76.3	M8×40	32	W ³ / ₈
0094	G- 80	80A	89.1	M8×40	32	W ³ / ₈
0107	G- 100	100A	114.3	M8×40	32	W ³ / ₈

Polypropylene band for VP pipe (gray)						
Size code	Model number	Diameter size	Applicable pipe outer diameter	Tightening bolt Dia. x Length	C	Hanging bolt diameter
0111	V- 13	13	18.0	M6×30	26	W ³ / ₈
0126	V- 15	16	22.0	M6×30	26	W ³ / ₈
0145	V- 20	20	26.0	M6×30	26	W ³ / ₈
0150	V- 25	25	32.0	M6×30	26	W ³ / ₈
0164	V- 32	30	38.0	M6×30	26	W ³ / ₈
0179	V- 40	40	48.0	M6×30	26	W ³ / ₈
0183	V- 50	50	60.0	M6×30	26	W ³ / ₈
0198	V- 65	65	76.0	M8×40	32	W ³ / ₈
0215	V- 80	75	89.0	M8×40	32	W ³ / ₈
0220	V- 100	100	114.0	M8×40	32	W ³ / ₈

Polypropylene band for coated steel pipe (ivory)						
Size code	Model number	Diameter size	Applicable pipe outer diameter	Tightening bolt Dia. x Length	C	Hanging bolt diameter
0234	C- 15	15A	25.7	M6×30	26	W ³ / ₈
0249	C- 20	20A	31.2	M6×30	26	W ³ / ₈
0253	C- 25	25A	37.6	M6×30	26	W ³ / ₈

Part number A10464

Polypropylene hanging band with turnbuckle

Units (mm)

Polypropylene band for copper pipe (white)						
Size code	Model number	Diameter size	Applicable pipe outer diameter	Tightening bolt Dia. x Length	C	Hanging bolt diameter
0268	TW-1	15A	15.88	M6×30	26	W ³ / ₈
0272	TW-5	20A	22.22	M6×30	26	W ³ / ₈
0287	TW-7	25A	28.58	M6×30	26	W ³ / ₈

Polypropylene band for VP pipe (beige)						
Size code	Model number	Diameter size	Applicable pipe outer diameter	Tightening bolt Dia. x Length	C	Hanging bolt diameter
0304	A- 40	40	48	M6×30	26	W ³ / ₈
0319	A- 50	50	60	M6×30	26	W ³ / ₈
0323	A- 65	65	76	M8×40	32	W ³ / ₈
0338	A- 80	75	89	M8×40	32	W ³ / ₈
0342	A- 100	100	114	M8×40	32	W ³ / ₈

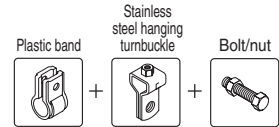
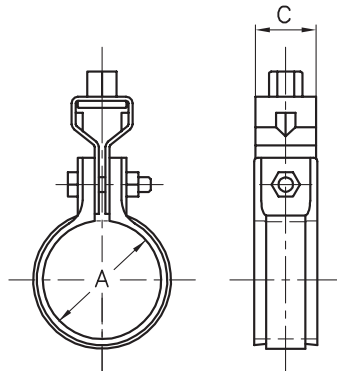
Polypropylene band for VP pipe (white)						
Size code	Model number	Diameter size	Applicable pipe outer diameter	Tightening bolt Dia. x Length	C	Hanging bolt diameter
0357	VW-20	20	26	M6×30	26	W ³ / ₈
0361	VW-25	25	32	M6×30	26	W ³ / ₈
0376	VW-32	30	38	M6×30	26	W ³ / ₈

Polypropylene band for coated copper pipe (white)						
Size code	Model number	Diameter size	Applicable pipe outer diameter	Tightening bolt Dia. x Length	C	Hanging bolt diameter
0272	TW- 5	1/2	23.0	M6×30	26	W ³ / ₈
0291	P - 20	3/4	31.0	M6×30	26	W ³ / ₈



A10465 Polypropylene hanging band with stainless steel turnbuckle

Polypropylene hanging bands for various pipe types



Part number A10465
Polypropylene hanging band with stainless steel turnbuckle

Units (mm)

Polypropylene band for SGP pipe (white)						
Size code	Model number	Diameter size	Applicable pipe outer diameter	Tightening bolt Dia. x Length	C	Hanging bolt diameter
0015	G- 15	15A	21.7	M6×30	26	W ³ / ₈
0020	G- 20	20A	27.2	M6×30	26	W ³ / ₈
0034	G- 25	25A	34.0	M6×30	26	W ³ / ₈
0049	G- 32	32A	42.7	M6×30	26	W ³ / ₈
0053	G- 40	40A	48.6	M6×30	26	W ³ / ₈
0068	G- 50	50A	60.5	M6×30	26	W ³ / ₈
0072	G- 65	65A	76.3	M8×40	32	W ³ / ₈
0087	G- 80	80A	89.1	M8×40	32	W ³ / ₈
0091	G- 100	100A	114.3	M8×40	32	W ³ / ₈

Polypropylene band for VP pipe (gray)						
Size code	Model number	Diameter size	Applicable pipe outer diameter	Tightening bolt Dia. x Length	C	Hanging bolt diameter
0104	V- 13	13	18.0	M6×30	26	W ³ / ₈
0119	V- 15	16	22.0	M6×30	26	W ³ / ₈
0123	V- 20	20	26.0	M6×30	26	W ³ / ₈
0138	V- 25	25	32.0	M6×30	26	W ³ / ₈
0142	V- 32	30	38.0	M6×30	26	W ³ / ₈
0157	V- 40	40	48.0	M6×30	26	W ³ / ₈
0161	V- 50	50	60.0	M6×30	26	W ³ / ₈
0176	V- 65	65	76.0	M8×40	32	W ³ / ₈
0195	V- 80	75	89.0	M8×40	32	W ³ / ₈
0208	V- 100	100	114.0	M8×40	32	W ³ / ₈

Polypropylene band for coated steel pipe (ivory)						
Size code	Model number	Diameter size	Applicable pipe outer diameter	Tightening bolt Dia. x Length	C	Hanging bolt diameter
0212	C- 15	15A	25.7	M6×30	26	W ³ / ₈
0227	C- 20	20A	31.2	M6×30	26	W ³ / ₈
0231	C- 25	25A	37.6	M6×30	26	W ³ / ₈

Units (mm)

Polypropylene band for copper pipe (white)						
Size code	Model number	Diameter size	Applicable pipe outer diameter	Tightening bolt Dia. x Length	C	Hanging bolt diameter
0246	TW-1	15A	15.88	M6×30	26	W ³ / ₈
0265	TW-5	20A	22.22	M6×30	26	W ³ / ₈
0270	TW-7	25A	28.58	M6×30	26	W ³ / ₈

Polypropylene band for VP pipe (beige)						
Size code	Model number	Diameter size	Applicable pipe outer diameter	Tightening bolt Dia. x Length	C	Hanging bolt diameter
0299	A- 40	40	48	M6×30	26	W ³ / ₈
0301	A- 50	50	60	M6×30	26	W ³ / ₈
0316	A- 65	65	76	M8×40	32	W ³ / ₈
0335	A- 80	75	89	M8×40	32	W ³ / ₈
0340	A- 100	100	114	M8×40	32	W ³ / ₈

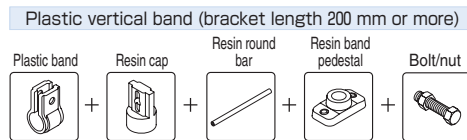
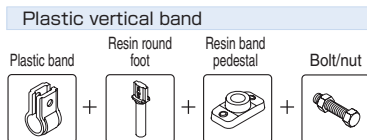
Polypropylene band for VP pipe (white)						
Size code	Model number	Diameter size	Applicable pipe outer diameter	Tightening bolt Dia. x Length	C	Hanging bolt diameter
0354	VW-20	20	26	M6×30	26	W ³ / ₈
0369	VW-25	25	32	M6×30	26	W ³ / ₈
0373	VW-32	30	38	M6×30	26	W ³ / ₈

Polypropylene band for coated copper pipe (white)						
Size code	Model number	Diameter size	Applicable pipe outer diameter	Tightening bolt Dia. x Length	C	Hanging bolt diameter
0265	TW- 5	1/2	23.0	M6×30	26	W ³ / ₈
0284	P - 20	3/4	31.0	M6×30	26	W ³ / ₈

Plastic Bands

A10467 Polypropylene vertical band (set)

Polypropylene vertical bands for various pipe types



Part number A10467 Polypropylene vertical band set for SGP pipe (white) Units (mm)

Size code	Size (diameter size x shank length L)	Applicable pipe outer diameter	Bracket pipe diameter	Tightening bolt Dia. x Length	Anchor pitch
0010	G15× 50L	21.7	16	M6×30	44
0024	G15× 65L	21.7	16	M6×30	44
0039	G15× 75L	21.7	16	M6×30	44
0043	G15× 100L	21.7	16	M6×30	44
0058	G15× 125L	21.7	16	M6×30	44
0062	G15× 150L	21.7	16	M6×30	44
0077	G15× 200L	21.7	16	M6×30	44
0081	G20× 50L	27.2	16	M6×30	44
0096	G20× 65L	27.2	16	M6×30	44
0109	G20× 75L	27.2	16	M6×30	44
0113	G20× 100L	27.2	16	M6×30	44
0128	G20× 125L	27.2	16	M6×30	44
0132	G20× 150L	27.2	16	M6×30	44
0147	G20× 200L	27.2	16	M6×30	44
0151	G25× 50L	34.0	16	M6×30	44
0166	G25× 65L	34.0	16	M6×30	44
0185	G25× 75L	34.0	16	M6×30	44
0190	G25× 100L	34.0	16	M6×30	44
0202	G25× 125L	34.0	16	M6×30	44
0217	G25× 150L	34.0	16	M6×30	44
0221	G25× 200L	34.0	16	M6×30	44
0236	G32× 50L	42.7	16	M6×30	44
0255	G32× 65L	42.7	16	M6×30	44
0260	G32× 75L	42.7	16	M6×30	44
0274	G32× 100L	42.7	16	M6×30	44
0289	G32× 125L	42.7	16	M6×30	44
0293	G32× 150L	42.7	16	M6×30	44
0306	G32× 200L	42.7	16	M6×30	44
0325	G40× 50L	48.6	16	M6×30	44
0330	G40× 65L	48.6	16	M6×30	44
0344	G40× 75L	48.6	16	M6×30	44
0359	G40× 100L	48.6	16	M6×30	44
0363	G40× 125L	48.6	16	M6×30	44
0378	G40× 150L	48.6	16	M6×30	44
0382	G40× 200L	48.6	16	M6×30	44
0397	G50× 50L	60.5	16	M6×30	44
0400	G50× 65L	60.5	16	M6×30	44
0414	G50× 75L	60.5	16	M6×30	44
0429	G50× 100L	60.5	16	M6×30	44
0433	G50× 125L	60.5	16	M6×30	44
0448	G50× 150L	60.5	16	M6×30	44
0452	G50× 200L	60.5	16	M6×30	44
0471	G65× 65L	76.3	20	M8×40	64
0486	G65× 75L	76.3	20	M8×40	64
0503	G65× 100L	76.3	20	M8×40	64
0518	G65× 125L	76.3	20	M8×40	64
0522	G65× 150L	76.3	20	M8×40	64
0537	G65× 200L	76.3	20	M8×40	64
0556	G80× 65L	89.1	20	M8×40	64
0575	G80× 75L	89.1	20	M8×40	64
0580	G80× 100L	89.1	20	M8×40	64
0594	G80× 125L	89.1	20	M8×40	64
0607	G80× 150L	89.1	20	M8×40	64
0611	G80× 200L	89.1	20	M8×40	64
0645	G100× 65L	114.3	20	M8×40	64
0650	G100× 75L	114.3	20	M8×40	64
0664	G100× 100L	114.3	20	M8×40	64
0679	G100× 125L	114.3	20	M8×40	64
0683	G100× 150L	114.3	20	M8×40	64
0698	G100× 200L	114.3	20	M8×40	64

Part number A10467 Polypropylene vertical band set for VP pipe (gray) Units (mm)

Size code	Size (diameter size x shank length L)	Applicable pipe outer diameter	Bracket pipe diameter	Tightening bolt Dia. x Length	Anchor pitch
0715	V13× 50L	18.0	16	M6×30	44
0720	V13× 65L	18.0	16	M6×30	44
0734	V13× 75L	18.0	16	M6×30	44
0749	V13× 100L	18.0	16	M6×30	44
0753	V13× 125L	18.0	16	M6×30	44
0768	V13× 150L	18.0	16	M6×30	44
0772	V13× 200L	18.0	16	M6×30	44
0787	V15× 50L	22.0	16	M6×30	44
0791	V15× 65L	22.0	16	M6×30	44
0804	V15× 75L	22.0	16	M6×30	44
0819	V15× 100L	22.0	16	M6×30	44
0823	V15× 125L	22.0	16	M6×30	44
0838	V15× 150L	22.0	16	M6×30	44
0842	V15× 200L	22.0	16	M6×30	44
0857	V20× 50L	26.0	16	M6×30	44
0861	V20× 65L	26.0	16	M6×30	44
0876	V20× 75L	26.0	16	M6×30	44
0895	V20× 100L	26.0	16	M6×30	44
0908	V20× 125L	26.0	16	M6×30	44
0912	V20× 150L	26.0	16	M6×30	44
0927	V20× 200L	26.0	16	M6×30	44
0931	V25× 50L	32.0	16	M6×30	44
0946	V25× 65L	32.0	16	M6×30	44
0965	V25× 75L	32.0	16	M6×30	44
0970	V25× 100L	32.0	16	M6×30	44
0984	V25× 125L	32.0	16	M6×30	44
0999	V25× 150L	32.0	16	M6×30	44
1003	V25× 200L	32.0	16	M6×30	44
1018	V32× 50L	38.0	16	M6×30	44
1022	V32× 65L	38.0	16	M6×30	44
1037	V32× 75L	38.0	16	M6×30	44
1041	V32× 100L	38.0	16	M6×30	44
1056	V32× 125L	38.0	16	M6×30	44
1075	V32× 150L	38.0	16	M6×30	44
1080	V32× 200L	38.0	16	M6×30	44
1094	V40× 50L	48.0	16	M6×30	44
1107	V40× 65L	48.0	16	M6×30	44
1111	V40× 75L	48.0	16	M6×30	44
1126	V40× 100L	48.0	16	M6×30	44
1145	V40× 125L	48.0	16	M6×30	44
1150	V40× 150L	48.0	16	M6×30	44
1164	V40× 200L	48.0	16	M6×30	44
1179	V50× 50L	60.0	16	M6×30	44
1183	V50× 65L	60.0	16	M6×30	44
1198	V50× 75L	60.0	16	M6×30	44
1215	V50× 100L	60.0	16	M6×30	44
1220	V50× 125L	60.0	16	M6×30	44
1234	V50× 150L	60.0	16	M6×30	44
1249	V50× 200L	60.0	16	M6×30	44
1268	V65× 65L	76.0	20	M8×40	64
1272	V65× 75L	76.0	20	M8×40	64
1287	V65× 100L	76.0	20	M8×40	64
1291	V65× 125L	76.0	20	M8×40	64
1304	V65× 150L	76.0	20	M8×40	64
1319	V65× 200L	76.0	20	M8×40	64
1338	V80× 65L	89.0	20	M8×40	64
1342	V80× 75L	89.0	20	M8×40	64
1357	V80× 100L	89.0	20	M8×40	64
1361	V80× 125L	89.0	20	M8×40	64
1376	V80× 150L	89.0	20	M8×40	64
1395	V80× 200L	89.0	20	M8×40	64
1412	V100× 65L	114.0	20	M8×40	64
1427	V100× 75L	114.0	20	M8×40	64
1431	V100× 100L	114.0	20	M8×40	64
1446	V100× 125L	114.0	20	M8×40	64
1465	V100× 150L	114.0	20	M8×40	64
1470	V100× 200L	114.0	20	M8×40	64



Part number A10467 Polypropylene vertical band set for coated steel pipe (ivory) Units (mm)

Size code	Size (diameter size x shank length L)	Applicable pipe outer diameter	Bracket pipe diameter	Tightening bolt Dia. x Length	Anchor pitch
1484	C15× 50L	25.7	16	M6×30	44
1499	C15× 75L	25.7	16	M6×30	44
1501	C15× 100L	25.7	16	M6×30	44
1516	C15× 150L	25.7	16	M6×30	44
1535	C20× 50L	31.2	16	M6×30	44
1540	C20× 75L	31.2	16	M6×30	44
1554	C20× 100L	31.2	16	M6×30	44
1569	C20× 150L	31.2	16	M6×30	44
1573	C25× 50L	37.6	16	M6×30	44
1588	C25× 75L	37.6	16	M6×30	44
1592	C25× 100L	37.6	16	M6×30	44
1605	C25× 150L	37.6	16	M6×30	44

Part number A10467 Polypropylene vertical band set for copper pipe (white) Units (mm)

Size code	Size (diameter size x shank length L)	Applicable pipe outer diameter	Bracket pipe diameter	Tightening bolt Dia. x Length	Anchor pitch
1610	TW-1× 50L	15.88	16	M6×30	44
1624	TW-1× 65L	15.88	16	M6×30	44
1639	TW-1× 75L	15.88	16	M6×30	44
1643	TW-1× 100L	15.88	16	M6×30	44
1658	TW-1× 125L	15.88	16	M6×30	44
1662	TW-1× 150L	15.88	16	M6×30	44
1677	TW-1× 200L	15.88	16	M6×30	44
1681	TW-5× 50L	22.22	16	M6×30	44
1696	TW-5× 65L	22.22	16	M6×30	44
1709	TW-5× 75L	22.22	16	M6×30	44
1713	TW-5× 100L	22.22	16	M6×30	44
1728	TW-5× 125L	22.22	16	M6×30	44
1732	TW-5× 150L	22.22	16	M6×30	44
1747	TW-5× 200L	22.22	16	M6×30	44
1751	TW-7× 50L	28.58	16	M6×30	44
1766	TW-7× 65L	28.58	16	M6×30	44
1785	TW-7× 75L	28.58	16	M6×30	44
1790	TW-7× 100L	28.58	16	M6×30	44
1802	TW-7× 125L	28.58	16	M6×30	44
1817	TW-7× 150L	28.58	16	M6×30	44
1821	TW-7× 200L	28.58	16	M6×30	44

Part number A10467 Polypropylene vertical band set for coated copper pipe (white) Units (mm)

Size code	Size (diameter size x shank length L)	Applicable pipe outer diameter	Bracket pipe diameter	Tightening bolt Dia. x Length	Anchor pitch
1836	P20× 50L	31.0	16	M6×30	44
1855	P20× 65L	31.0	16	M6×30	44
1860	P20× 75L	31.0	16	M6×30	44
1874	P20× 100L	31.0	16	M6×30	44
1889	P20× 125L	31.0	16	M6×30	44
1893	P20× 150L	31.0	16	M6×30	44
1906	P20× 200L	31.0	16	M6×30	44

Part number A10467 Polypropylene vertical band set for VP pipe (beige) Units (mm)

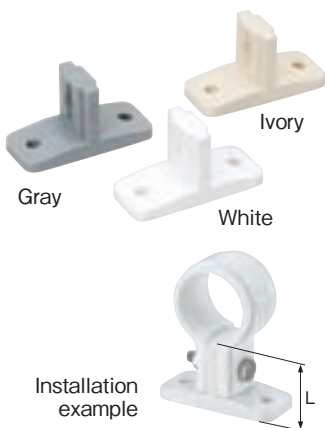
Size code	Size (diameter size x shank length L)	Applicable pipe outer diameter	Bracket pipe diameter	Tightening bolt (D x L)	Anchor pitch
1925	A40× 50L	48.0	16	M6×30	44
1930	A40× 65L	48.0	16	M6×30	44
1944	A40× 75L	48.0	16	M6×30	44
1959	A40× 100L	48.0	16	M6×30	44
1963	A40× 125L	48.0	16	M6×30	44
1978	A40× 150L	48.0	16	M6×30	44
1982	A40× 200L	48.0	16	M6×30	44
1997	A50× 50L	60.0	16	M6×30	44
2001	A50× 65L	60.0	16	M6×30	44
2016	A50× 75L	60.0	16	M6×30	44
2035	A50× 100L	60.0	16	M6×30	44
2040	A50× 125L	60.0	16	M6×30	44
2054	A50× 150L	60.0	16	M6×30	44
2069	A50× 200L	60.0	16	M6×30	44
2088	A65× 65L	76.0	20	M8×40	64
2092	A65× 75L	76.0	20	M8×40	64
2105	A65× 100L	76.0	20	M8×40	64
2110	A65× 125L	76.0	20	M8×40	64
2124	A65× 150L	76.0	20	M8×40	64
2139	A65× 200L	76.0	20	M8×40	64
2158	A80× 65L	89.0	20	M8×40	64
2162	A80× 75L	89.0	20	M8×40	64
2177	A80× 100L	89.0	20	M8×40	64
2181	A80× 125L	89.0	20	M8×40	64
2196	A80× 150L	89.0	20	M8×40	64
2209	A80× 200L	89.0	20	M8×40	64
2228	A100× 65L	114.0	20	M8×40	64
2232	A100× 75L	114.0	20	M8×40	64
2247	A100× 100L	114.0	20	M8×40	64
2251	A100× 125L	114.0	20	M8×40	64
2266	A100× 150L	114.0	20	M8×40	64
2285	A100× 200L	114.0	20	M8×40	64

Part number A10467 Polypropylene vertical band set for VP pipe (white) Units (mm)

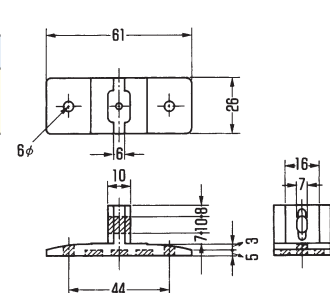
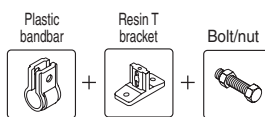
Size code	Size (diameter size x shank length L)	Applicable pipe outer diameter	Bracket pipe diameter	Tightening bolt (D x L)	Anchor pitch
2290	VW20× 50L	26.0	16	M6×30	44
2302	VW20× 65L	26.0	16	M6×30	44
2317	VW20× 75L	26.0	16	M6×30	44
2321	VW20× 100L	26.0	16	M6×30	44
2336	VW20× 125L	26.0	16	M6×30	44
2355	VW20× 150L	26.0	16	M6×30	44
2360	VW20× 200L	26.0	16	M6×30	44
2374	VW25× 50L	32.0	16	M6×30	44
2389	VW25× 65L	32.0	16	M6×30	44
2393	VW25× 75L	32.0	16	M6×30	44
2406	VW25× 100L	32.0	16	M6×30	44
2425	VW25× 125L	32.0	16	M6×30	44
2430	VW25× 150L	32.0	16	M6×30	44
2444	VW25× 200L	32.0	16	M6×30	44
2459	VW32× 50L	38.0	16	M6×30	44
2463	VW32× 65L	38.0	16	M6×30	44
2478	VW32× 75L	38.0	16	M6×30	44
2482	VW32× 100L	38.0	16	M6×30	44
2497	VW32× 125L	38.0	16	M6×30	44
2500	VW32× 150L	38.0	16	M6×30	44
2514	VW32× 200L	38.0	16	M6×30	44

Polypropylene T-bracket

Mounting brackets for raised pipes



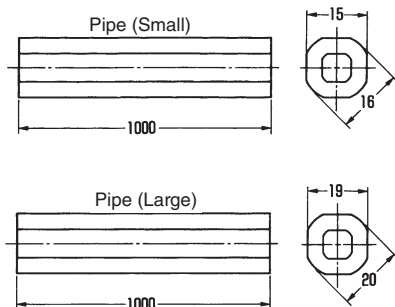
Part number	Size code	Units (mm)	
		L	Color
A10507	0017	35	White
A10508	0014	35	Gray
A10509	0011	35	Ivory



Plastic Bands

Polypropylene pipe

Mounting brackets for polypropylene vertical bands and polypropylene spectacle bands



Polypropylene pipe (white) Units (mm)

Part number	Size code	Applicable band size	Bracket pipe diameter	Bracket pipe length
A10499	0013	15A to 50A	16	1000
A10500	0016	65A to 100A	20	1000

Polypropylene pipe (gray) Units (mm)

Part number	Size code	Applicable band size	Bracket pipe diameter	Bracket pipe length
A10501	0013	15A to 50A	16	1000
A10503	0018	65A to 100A	20	1000

Polypropylene pipe (ivory) Units (mm)

Part number	Size code	Applicable band size	Bracket pipe diameter	Bracket pipe length
A10504	0015	15A to 50A	16	1000

Polypropylene pipe (beige) Units (mm)

Part number	Size code	Applicable band size	Bracket pipe diameter	Bracket pipe length
A10505	0012	15A to 50A	16	1000
A10506	0010	65A to 100A	20	1000

Polypropylene vertical bracket

Mounting brackets for polypropylene vertical bands

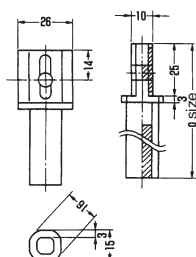


Polypropylene vertical bracket (Small)

Applicable band

15A to 50A

Units (mm)



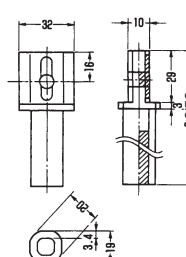
Code No.		A10468	A10470	A10472	A10473
Bracket dimension	Bracket pipe diameter	White	Gray	Ivory	Beige
50L	16	0017	0015	0010	0017
65L	16	0021	0020	0062	0021
75L	16	0036	0034	0024	0036
100L	16	0055	0049	0039	0055
125L	16	0060	0053	0077	0060
150L	16	0074	0068	0043	0074
200L	16	0089	0072	0058	0089

Polypropylene vertical bracket (Large)

Applicable band

65A to 100A

Units (mm)



Code No.		A10469	A10471	A10474
Bracket dimension	Bracket pipe diameter	White	Gray	Beige
65L	20	0029	0027	0029
75L	20	0033	0031	0033
100L	20	0048	0046	0048
125L	20	0052	0065	0052
150L	20	0067	0070	0067
200L	20	0071	0084	0071

Polypropylene vertical pedestal

Mounting pedestals for polypropylene vertical bands

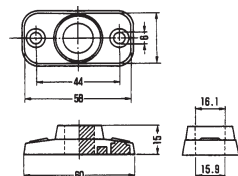


Polypropylene vertical pedestal (Small)

Applicable band

15A to 50A

Units (mm)



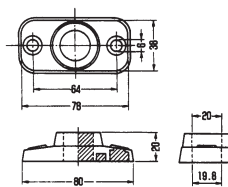
Part number	Size code	Color
A10475	0011	White
A10477	0016	Gray
A10480	0011	Ivory
A10481	0019	Beige

Polypropylene vertical pedestal (Large)

Applicable band

65A to 100A

Units (mm)



Part number	Size code	Color
A10476	0019	White
A10478	0013	Gray
A10482	0016	Beige

Polypropylene joint Polypropylene cap joint Polypropylene adapter

Connecting parts for polypropylene bands and polypropylene spectacle bands



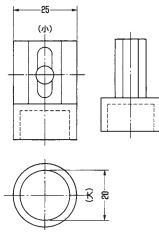
Joint



Cap joint



Adapter



Polypropylene joint (small) 15A to 50A

Units (mm)		
Part number code	Size code	Color
A10488	0010	White
A10490	0018	Gray
A10492	0012	Ivory
A10493	0010	Beige

Polypropylene joint (large) 65A to 300A

Units (mm)		
Part number code	Size code	Color
A10489	0017	White
A10491	0015	Gray
A10494	0017	Beige

Polypropylene cap joint

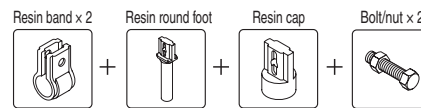
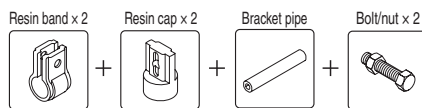
Units (mm)		
Part number code	Size code	Color
A10485	0018	Gray
A10487	0012	Beige

Polypropylene adapter

Units (mm)		
Part number code	Size code	Color
A10495	0014	White

Polypropylene spectacle bands

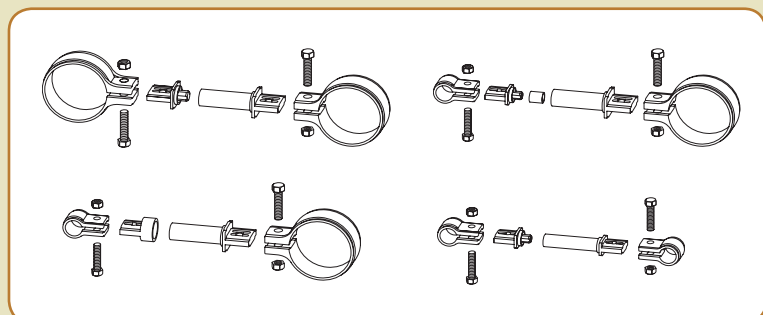
Polypropylene band parts are combined to create polypropylene spectacle bands



Assembling spectacle bands

- Polypropylene band compatible with 15A to 50A
- Polypropylene band compatible with 65A to 100A
- Use as reference for assembly.

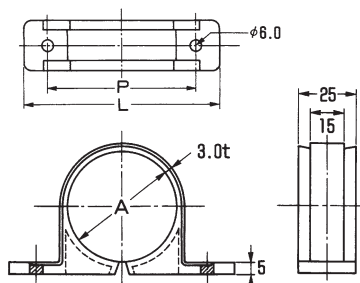
Polypropylene bands can be combined as shown at the right to create spectacle bands.



Plastic Bands

A10511 Polypropylene saddle

Polypropylene bands for raised pipes



Part number A10511 Polypropylene saddle

Units (mm)

Polypropylene saddle for SGP pipe (white)						
Size code	Size	Applicable pipe outer diameter	P	L	Applicable pedestal number	Remarks (Old size)
0575	GP10	17.3	41	62	1 to 5	G- 2
0580	GP15	21.7	41	62	1 to 5	G- 4
0594	GP20	27.2	48	67.5	6 to 7	G- 6
0607	GP25	34.0	56	79.5	8 to 9	G- 9
0611	GP32	42.7	66	90	10 to 11	G- 11
0626	GP40	48.6	75	100	12 to 13	G- 12
0645	GP50	60.5	95	120	14	G- 14

Polypropylene saddle for SGP pipe (ivory)						
Size code	Size	Applicable pipe outer diameter	P	L	Applicable pedestal number	Remarks (Old size)
0650	GP20	27.2	48	67.5	6 to 7	サ-6

Polypropylene saddle for copper pipe (natural)						
Size code	Size	Applicable pipe outer diameter	P	L	Applicable pedestal number	Remarks (Old size)
0664	CU15	15.88	41	62	1 to 5	T- 1
0679	CU19	19.05	41	62	1 to 5	T- 3
0683	CU20	22.22	41	62	1 to 5	T- 5
0698	CU25	28.58	48	67.5	6 to 7	T- 7
0715	CU32	34.92	56	79.5	8 to 9	T- 9
0720	CU40	41.28	66	90	10 to 11	T- 11
0734	CU50	53.98	75	100	12 to 13	T- 13

Polypropylene saddle for coated steel pipe (ivory)						
Size code	Size	Applicable pipe outer diameter	P	L	Applicable pedestal number	Remarks (Old size)
0838	PC15	25.7	48	67.5	6 to 7	PC- 6
0842	PC20	31.2	56	79.5	8 to 9	PC- 8
0857	PC25	37.6	66	90	10 to 11	PC-10
0861	PC32	46.3	75	100	12 to 13	PC-12
0556	PC40	52.2	75	100	12 to 13	PC-40

Polypropylene saddle for coated flexible pipe (white)						
Size code	Size	Applicable pipe outer diameter	P	L	Applicable pedestal number	Remarks (Old size)
0970	FT20	20	41	62	1 to 5	F-3

Polypropylene saddle for VP pipe (white)						
Size code	Size	Applicable pipe outer diameter	P	L	Applicable pedestal number	Remarks (Old size)
0819	VP20	26	48	67.5	6 to 7	C-6

Polypropylene saddle for VP pipe (beige)						
Size code	Size	Applicable pipe outer diameter	P	L	Applicable pedestal number	Remarks (Old size)
0823	VP40	48	75	100	12 to 13	A-12

Polypropylene saddle for VP pipe (gray)						
Size code	Size	Applicable pipe outer diameter	P	L	Applicable pedestal number	Remarks (Old size)
0749	VP13	18	41	62	1 to 5	V- 2
0753	VP16	22	41	62	1 to 5	V- 4
0768	VP20	26	48	67.5	6 to 7	V- 6
0772	VP25	32	56	79.5	8 to 9	V- 8
0787	VP30	38	66	90	10 to 11	V- 10
0791	VP40	48	75	100	12 to 13	V- 12
0804	VP50	60	95	120	14	V- 14

Polypropylene saddle for VP/drain pipe (ivory)						
Size code	Size	Applicable pipe outer diameter	P	L	Applicable pedestal number	Remarks (Old size)
1215	VP20	26	48	67.5	6 to 7	
1220	VP25	32	56	79.5	8 to 9	
1234	VP30	38	66	90	10 to 11	
1249	VP40	48	75	100	12 to 13	



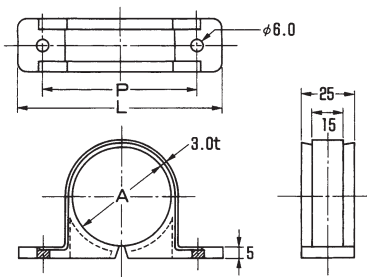
Polypropylene saddle for HIVP pipe (blue)						
Size code	Size	Applicable pipe outer diameter	P	L	Applicable pedestal number	Remarks (Old size)
0895	HI13	18	41	62	1 to 5	H- 2
0908	HI16	22	41	62	1 to 5	H- 4
0912	HI20	26	48	67.5	6 to 7	H- 6
0927	HI25	32	56	79.5	8 to 9	H- 8
0931	HI30	38	66	90	10 to 11	H- 10
0946	HI40	48	75	100	12 to 13	H- 12
0965	HI50	60	96	120	14	H- 14

Polypropylene saddle for insulated polypropylene and crosslinked polyethylene pipe (blue/pink)						
Size code	Size	Color	Applicable pipe outer diameter	P	L	Applicable pedestal number
1107	HB13	Blue	28	48	67.5	6 to 7
1111	HB16	Blue	33	56	79.5	8 to 9
1080	HP13	Pink	28	48	67.5	6 to 7
1094	HP16	Pink	33	56	79.5	8 to 9

* A product for heat insulation thickness 10mm is available.

A10511 Polypropylene saddle for coated copper pipe

Polypropylene bands for raised coated copper pipes



Part number A10511 Polypropylene saddle

● Kobelco & Materials Copper Tube Co., Ltd. Units (mm)

Polypropylene saddle for Vic tube (pearl white)								
Size code	Size	Diameter size	Type	Applicable pipe outer diameter	P	L	Applicable pedestal number	Remarks (Old size)
0984	BP10	3/8	P	17	41	62	1 to 5	B-2
0999	BP15	1/2	P	20	41	62	1 to 5	B-3
1003	BP20	3/4	P	28	48	67.5	6 to 7	B-7
1018	BL15	1/2	L	23	41	62	1 to 5	B-5
1022	BL20	3/4	L	31	56	79.5	8 to 9	B-8

Polypropylene saddle for Thermo-Eco tube (pearl white)								
Size code	Size	Diameter size	Type	Applicable pipe outer diameter	P	L	Applicable pedestal number	Remarks (Old size)
0999	BP15	1/2	SA	20	41	62	1 to 5	B-3
1003	BP20	3/4	SA	28	48	67.5	6 to 7	B-7

Polypropylene saddle for Thermo-Eco tube (white)								
Size code	Size	Diameter size	Type	Applicable pipe outer diameter	P	L	Applicable pedestal number	Remarks (Old size)
1041	PT15	1/2	SD	23	41	62	1 to 5	P-5
1056	PT20	3/4	SD	31	56	79.5	8 to 9	P-8

● Sumitomo Light Metal Industry Co., Ltd.

Polypropylene saddle for Prezol tube (white)								
Size code	Size	Diameter size	Type	Applicable pipe outer diameter	P	L	Applicable pedestal number	Remarks (Old size)
1037	PT10	3/8	P	19	41	62	1 to 5	P- 3
1041	PT15	1/2	P	23	41	62	1 to 5	P- 5
1056	PT20	3/4	P	31	56	79.5	8 to 9	P- 8
1075	PT25	1	P	38	65	90	10 to 11	P-10

● Furukawa Electric Industry Co., Ltd.

Polypropylene saddle for Thermo-In tube (white)								
Size code	Size	Diameter size	Type	Applicable pipe outer diameter	P	L	Applicable pedestal number	Remarks (Old size)
0580	GP15	3/8	S	22.0	41	62	1 to 5	G- 4
0594	GP20	1/2	S	27.0	48	67.5	6 to 7	G- 6
1075	PT25	3/4	S	37.5	66	90	10 to 11	P-10
1041	PT15	1/2	SE	23.0	41	62	1 to 5	P- 5
1056	PT20	3/4	SE	31.0	56	79.5	8 to 9	P- 8
1075	PT25	1	SE	38.0	66	90	10 to 11	P-10

● Chiyoda Sangyo Co., Ltd.

Polypropylene saddle for Polytite tube B-SP type (white) [K type (pearl white)]								
Size code	Size	Diameter size	Type	Applicable pipe outer diameter	P	L	Applicable pedestal number	Remarks (Old size)
0580	GP15	1/2	B	21.0	41	62	1 to 5	G- 4
0594	GP20	3/4	B	27.0	48	67.5	6 to 7	G- 6
0999	BP15	1/2	K	20.0	41	62	1 to 5	*B- 3
1003	BP20	3/4	K	28.0	48	67.5	6 to 7	*B- 7
1041	PT15	1/2	SP	23.0	41	62	1 to 5	P- 5
1056	PT20	3/4	SP	31.0	56	79.5	8 to 9	P- 8

Plastic Bands

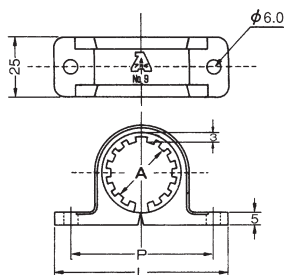
A10520 Anti-vibration polypropylene saddle

Polypropylene band for raised SGP pipe / With 3 mm rubber

Part number A10520 Anti-vibration polypropylene saddle

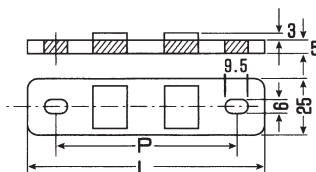
Units (mm)

Size code	Diameter size	Applicable pipe outer diameter	L	P
0038	GP -15A	21.7	67.5	48
0019	GP -20A	27.2	79.5	56
0042	GP -25A	34.0	90.0	66
0057	VD -20A	31.2	90.0	66



Polypropylene saddle pedestal

Pedestal for polypropylene saddle



Part number A10512 to A20440 Polypropylene saddle pedestal

Units (mm)

Code No.	A10512	A10513	A10514	A10515	A10516	A10517	A18604	A18605	A15947	A20440	Applicable polypropylene saddle		
	Size code												
Color	White	Gray	Ivory	Beige	Natural	Pearl White	Pink	Blue	for HIVP Blue	VP Ivory	L	P	
Number 1 to 5	0017	0014	0011		0016	0013			0017		62	41	
Number 6 to 7	0021	0029	0026		0035	0028	0017	0014	0021	0010	67.5	48	
Number 8 to 9	0036	0033	0045		0040	0032	0021	0029	0036	0024	79.5	56	
Number 10 to 11	0055	0048	0050		0054	0047			0055	0039	90.0	65	
Number 12 to 13	0060	0052	0064	0019	0069				0060	0043	100.0	75	
Number 14	0074	0067							0074		120.0	95	